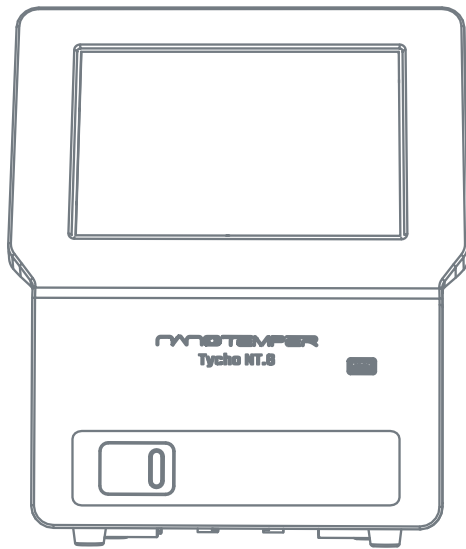


Tycho NT.6 quick start guide

Tycho™ NT.6 is all about quick and precise protein quality checks. Test and compare the relative quality, similarity and functionality of a protein sample during any step of a purification or characterization workflow. For more information, check the Tycho NT.6 user manual, the Applications Guide or “What can I do with Tycho NT.6?” in the Tycho user interface.

Contents



Tycho NT.6 system

Tycho NT.6 capillaries

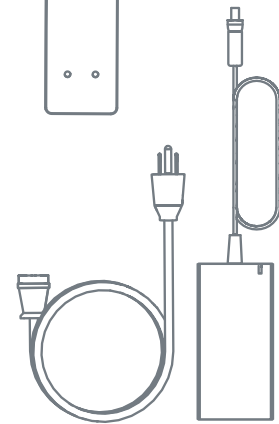
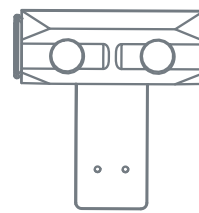


USB memory stick



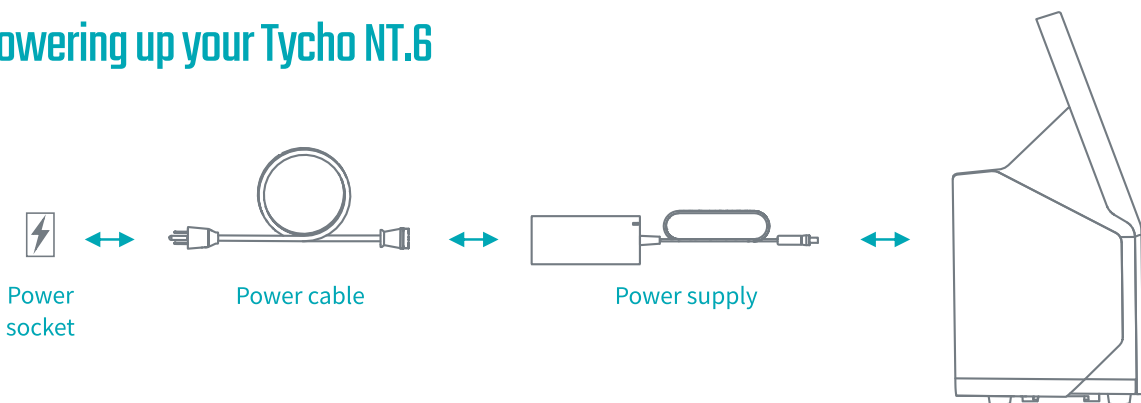
Power supply holder

Capillary station

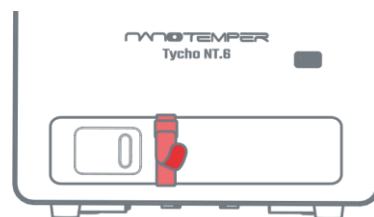
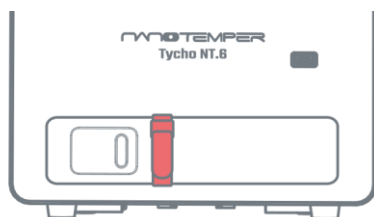


Power supply and cable

Powering up your Tycho NT.6



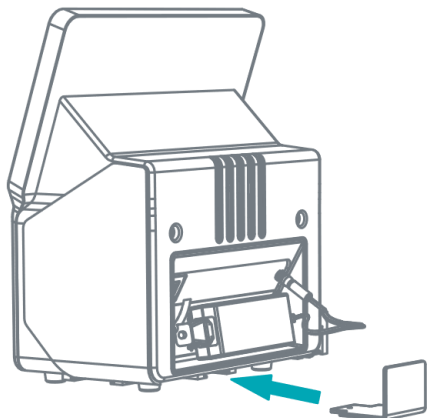
Get ready to start



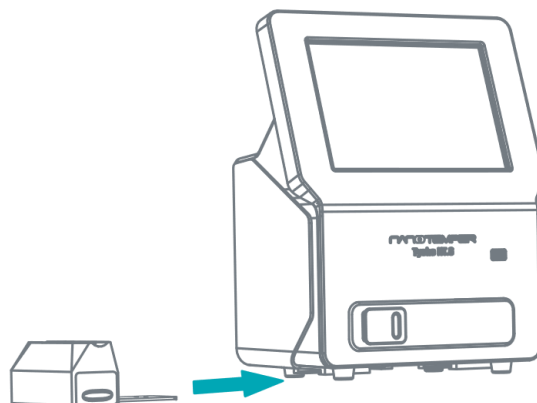
The transportation lock band fixes the sample-holding arm to the door of Tycho. Lift the end of the band to remove. Open the door for better access. Please don't discard the band! Keep and reuse it for future transport.



Tidying up your Tycho NT.6 : power supply holder and capillary station

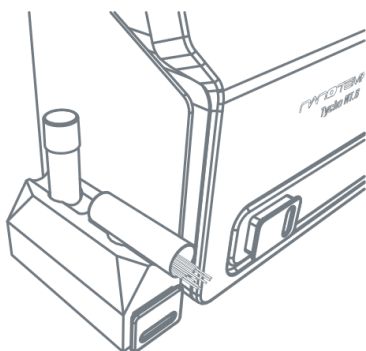


Insert the power supply holder to neatly secure the supply and cable in place

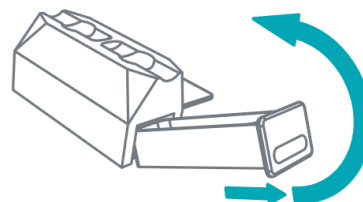


Insert the capillary holder station into the groove tracks on either the left or right side of Tycho NT.6

The capillary station: for storage and disposal



Use the capillary station to store capillary vials so they don't get lost or in the way. When loading samples, place the open capillary vial on top of the capillary station. That way it's easy to take out individual capillaries.



Collect used capillaries in the capillary station drawer. When the drawer fills up, remove and dispose used capillaries in the appropriate container as the capillaries are made of glass.

Remote access



Connect Tycho to your local area network (LAN) using the ethernet socket at the back. Then, simply access Tycho through the network via browser. This way, you can comfortably analyze, annotate, or download your data from your desk.

More than just a memory stick



Check out the USB memory stick included with Tycho NT.6. Besides its utility for data export, it also includes lots of helpful material: the Tycho NT.6 user manual, the Applications Guide and application notes with examples of what Tycho can do, and some tips & tricks for using Tycho!

